

SD Remote Access Unit

The remote access unit is used to gain access to the installed ACO StormBrixx SD system.



Part #138141

Modules are cut and removed as necessary to create the space required for the remote access unit. Remote access unit walls can be removed to provide access in any direction, including the base.

Units can be installed inside or on the edge of the structure.



The top-most remote access units are fitted with extension shafts.

Inspection cameras or jetting heads can be inserted vertically into the extension shafts integrated within the ACO StormBrixx SD structure.



Remote Access Plate

The remote access plate is used to gain access to an installed ACO StormBrixx SD system for inspection and/or maintenance.

Molded remote access plate; replaces one half-module



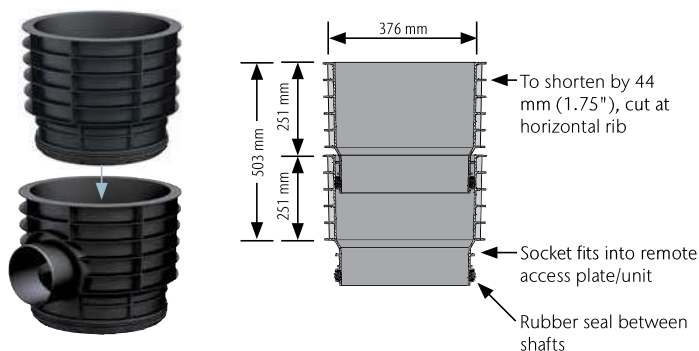
Part #314075

Layered modules underneath the access plate are removed to create allow free movement within the structure..

Ensure the plate is not used on the edge of the structure; it can be used anywhere else.



The top remote access plates are fitted with extension shafts. Inspection cameras or jetting heads can be inserted vertically through the extension shafts integrated within the StormBrixx SD structure.



Extension shafts are available with a socket for a venting pipe (Part #314039) or without a socket (Part #314038). Extension shaft pieces can be stacked vertically.

